

RJH

AIR CONDITIONING AND REFRIGERATION SERVICE

WALK-IN TRAILERS REFRIGERATOR / FREEZER RJH500 / RJH501



WALK-IN REFRIGERATED TRAILERS

- ◆ WALK-IN 6' x 10'
- ◆ TANDEM AXLE TRAILER 6' x 12'

REFRIGERATORS OR FREEZERS FOR SPECIAL EVENTS, EMERGENCIES, SPECIAL USE OR FOR SUPPLEMENTAL BACKUP.

ALL WALK-IN TRAILERS ARE EQUIPPED WITH FULLY OPERATIONAL CONDENSING SYSTEM AND OPTIONAL GASOLINE POWERED GENERATOR OR ELECTRICAL POWER CABLES. WIRE SHELVING IS AVAILABLE FOR ADDITIONAL CHARGES.



SPECIFICATIONS & TECHNICAL DATA

Walk-IN Description	Overall Dimensions			Trailer Description	Overall Dimensions		
	L	W	H		L	W	H
Walk-In Specifications	9'-8"	5'-10"	7'-6"	NNT Tandem Axle	12'	6'	24"
Walk-in Door Specifications		36"	78"	Standard Hitch	2-5/16"		
Condensing Unit Specifications	30-3/8"	24-7/8"	16-7/8"	Wt. Rating	10000#		

Description	HP	Electrical	Compressor		Refrig	Fan Motor	
Freezer Specifications	2.0	208-230/1/60	10.3 RLA	59.2 LRA	R404A	1	.05 FLA
Refrigerator Specifications	1.0	115/60/1	11.9 RLA	59 LRA	R22	1 - 1/15 HP	1.2 FLA

Description	UNIT CONNECTIONS		RECEIVER CAP 90%		Approx. Wt. LBS
	Suction OD	Liquid OD	Lbs	Kgs	
Condensing Unit Specifications	5/8"	3/8"	6	2.72	152

RJH AIR CONDITIONING & REFRIGERATION SERVICE LLC

12232 Distribution Place • Maryland 20705 USA
(888) 937-9080 • (301) 937-9080 Office
www.rjhhvacr.com

WALK-IN TRAILERS

REFRIGERATOR / FREEZER

RJH500 / RJH501



SPECIFICATIONS

9'-8" X 5'-10" X 7'-6"

INSTALLATION

- OUTDOOR
- AS AN ADDED PRECAUTION AGAINST WATER LEAKS, BALLY RECOMMENDS THAT ALL EXTERIOR PANEL JOINTS BE CAULKED AFTER ASSEMBLY.
- BALLY TO FURNISH A MEMBRANE ROOF. SEE DURO-LAST INSTALLATION INSTRUCTIONS.
- LOADING HEIGHT - AT LEAST 12" OF OPEN SPACE MUST BE MAINTAINED BETWEEN TOP OF PRODUCT AND CEILING PANELS

INSULATION

- FOAMED IN-PLACE POURED URETHANE

EXTERIOR FINISH

- EMBOSSED WHITE GALVANIZED

INTERIOR FINISH

- EMBOSSED WHITE GALVANIZED

FLOOR FINISH

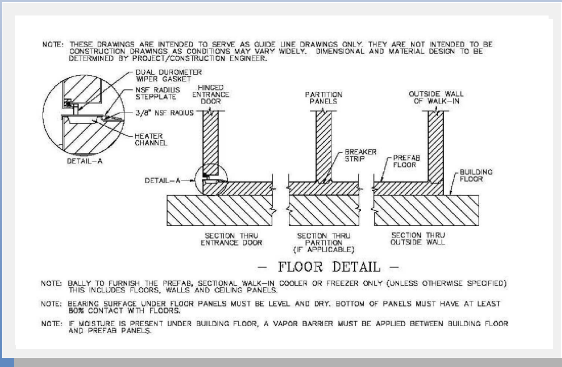
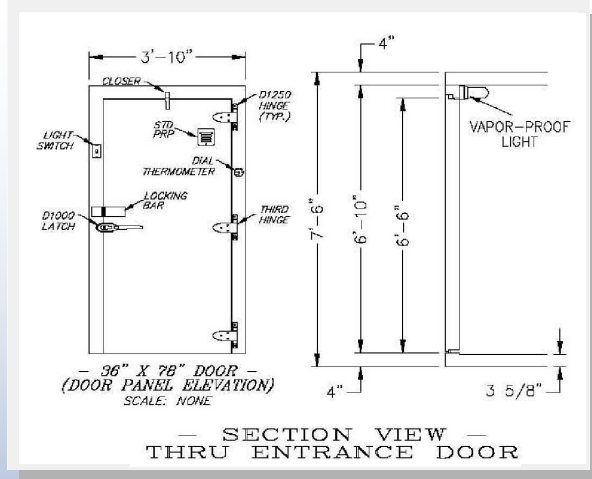
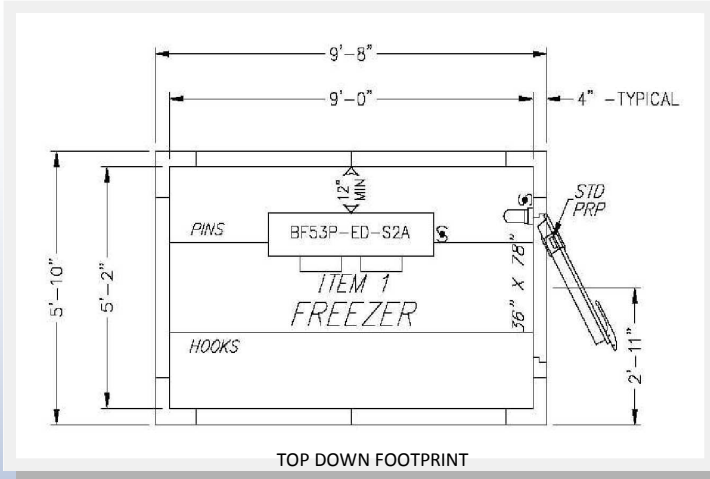
- (INTERIOR) SMOOTH ALUMINUM
- (EXTERIOR) EMBOSSED WHITE GALVANIZED

DOORS

- (1) 36" X 78" RIGHT SWING HINGED WALK-IN DOOR
- THIRD HINGE
- LOCKING BAR

REFRIGERATION - BY BALLY

QTY	HP	REF TYPE	MODEL NUMBER	POWER SUPPLY	COMPRESSOR P/LA	FAN MTR P/LA	TOTAL MATS DETROIT	AMPS	MDA	MAX FUSE	CMPT
1	2.0	PROB	BF53P-ED-S2A	208-230/1/60	10.3	58.2	1	0.5		13.3	20 F
1			BF53P-ED-S2A	208-230/1/60	2	1/20	2.400				



RJH AIR CONDITIONING AND REFRIGERATION SERVICE

12232 Distribution Place
 Beltsville, Maryland 20705 USA
 (301) 937-9080
 www.rjhvacr.com