

SUPER DECK Y SERIES BRICK-LINED GAS DECK OVENS



Model Y-600BL
with optional casters

Specifications

Bakers Pride Super Deck Y-Series Brick-Lined gas Deck Ovens features a completely Fibrament stone brick-lined ceiling and delivers quick bake times, faster recovery, increased production and energy savings!

Ovens may be stacked two high. Oven exteriors are all heavy-gauge, type 403 stainless steel and are fully insulated up to 5" (127mm) thick for cooler outer temperatures and consistent interior temperatures

Interior oven frame is constructed of 1/4" (6mm) heavy-duty angle iron frame, completely welded to form a single, unitized section. The oven body and lining are then welded to the framework.

Oven interiors are manufactured of high-heat resistant 16 gauge aluminized steel. Doors are fully insulated, spring balanced with tubular steel handles and will remain open or closed until moved.

All models feature independent, operator-controlled top & bottom heat control dampers and micro-slides for perfectly balanced results.

Ceiling is brick-lined for quicker bake time, faster recovery, increased production and energy savings.

Combination gas control incorporates a manual gas valve, pilot safety and pressure regulator. Easily removable, slide-out, heavy-duty flame diverters distribute the burner flame uniformly in the burner chamber. A 3/4" (19mm) NPT gas connection is located on the left side and left rear of oven – operator/installer may choose.

Heavy-duty, 7 gauge hot rolled steel legs are standard and finished with durable Bakertone.

2 year limited parts and labor warranty standard.

Model – Y-600BL Single
Model – Y-602BL Double
Model – Y-800BL Single
Model – Y-802BL Single

Standard Features

- Y Series @ 120,000 BTUH per deck, natural or LP gas - CE not available in LP gas
- 300°-650° F (149°-343°C) thermostat
- Top and bottom heat control dampers & micro-slides
- Combination gas controls with valve, regulator & pilot safety
- Heavy-duty, slide-out flame diverters
- 8" (203mm) interior deck heights with 2" (50.80mm) thick Fibrament hearth decks
- Fibrament stone brick-lined ceiling
- All stainless steel exteriors
- Aluminized steel interiors
- Spring balanced, fully insulated doors
- Side or rear gas connections
- 7 gauge legs
- Fully insulated throughout
- 2 year limited parts and labor warranty

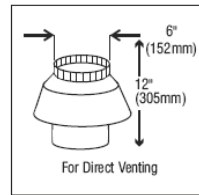
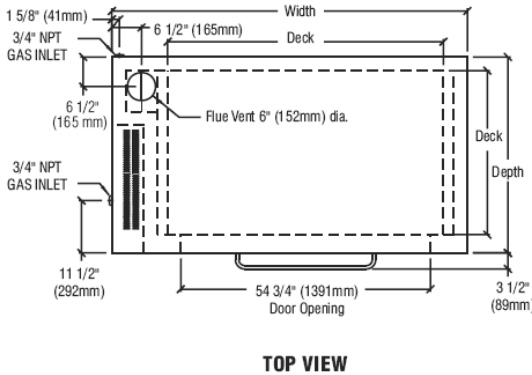
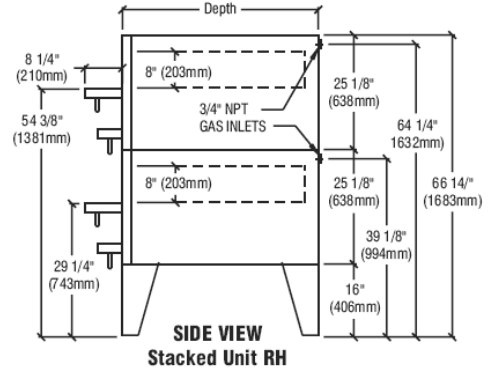
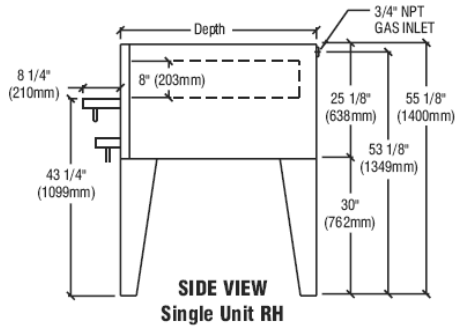
Options & Accessories

- Side-mounted controls
- Steel decks
- 150°-550° F (65°-288°C) Bake thermostat
- Set of 4 casters – two with locks
- Stainless steel legs
- Special height legs
- Steam injection
- Automatic oven starter
- Draft flue for direct vent (not available on CE units)
- Black powder-coated hinged control panel door

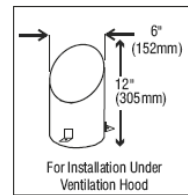
Certifications



SUPER DECK Y SERIES BRICK-LINED GAS DECK OVENS



MUST BE SPECIFIED AT TIME OF ORDER



STANDARD

All Dimensions Nominal

| Model | Shipping Weights | | Carton Dimensions | | | Crate Size | |
|-------|------------------|-------|---------------------|---------------------|----------------------|------------|-------------|
| | Lbs. | Kilos | Width inches / (mm) | Depth inches / (mm) | Height inches / (mm) | Cubic Feet | Cubic Meter |
| Y-600 | 1385 | 626 | 31 / 787 | 53 / 1364 | 82 / 2083 | 76 | 2.4 |
| Y-800 | 1600 | 726 | 31 / 787 | 60 / 1365 | 82 / 2184 | 78 | 2.8 |

Each oven ships separately
Hearth Decks and Legs ship in separate cartons

| Model | Deck Sizes | | | Overall Dimensions | | |
|-------|------------|-------------|---------|---------------------|---------------------|----------------------|
| | In. | (mm) | # Decks | Width inches / (mm) | Depth inches / (mm) | Height Inches / (mm) |
| Y-600 | 60 x 36 | 1524 x 914 | 1 | 78 / 1981 | 43 / 1092 | 55 1/8 / 1400 |
| Y-602 | 60 x 36 | 1524 x 914 | 2 | 78 / 1981 | 43 / 1092 | 66 1/4 / 1683 |
| Y-800 | 66 x 44 | 1676 x 1118 | 1 | 84 / 2134 | 51 / 1295 | 55 1/8 / 1400 |
| Y-802 | 66 x 44 | 1676 x 1118 | 2 | 84 / 2134 | 51 / 1295 | 66 1/4 / 1683 |

| GAS SUPPLY | | | |
|------------|---------|-------|------------|
| Model | BTUH | KW | CONNECTION |
| Y-600 | 120,000 | 35.15 | 3/4" |
| Y-602 | 240,000 | 70.3 | 3/4" |
| Y-800 | 120,000 | 35.15 | 3/4" |
| Y-802 | 240,000 | 70.3 | 3/4" |

| | Noncombustible Construction | | Combustible Construction | |
|-------|-----------------------------|----|--------------------------|----|
| | Inches | MM | Inches | MM |
| Right | 0 / 0 | | 1 / 25 | |
| Left | 0 / 0 | | 3 / 76 | |
| Rear | 2 / 51 | | 3 / 76 | |

Continuous product improvement is a policy of Bakers Pride Oven Company. Therefore, specifications and design are subject to change without notification