

US REFRIGERATION

Item: _____
 Quantity: _____
 Project: _____
 Approval: _____
 Date: _____

Top Mount Reach-in Series Commercial Refrigerator & Freezers

Models: USTV-24R USTV-24F USTV-48R USTV-48F USTV-70R USTV-70F

Note: "R" after the Model Number denotes "Refrigerator" and "F" denotes "Freezer"

GENERAL SPECIFICATIONS

US Refrigeration is YOUR first choice in commercial refrigeration equipment

STANDARD FEATURES

- A high density, CFC free polyurethane insulation for the entire cabinet and solid door.
- Our equipment is designed using the highest quality materials and components to provide the user with stable product temperatures and lower utility costs at a very competitive price.
- Adjustable heavy duty PVC coated white shelves
- Self-closing and stay open door with door locks.
- Magnetic gasket with Stainless steel door hinges and a heating element for freezer doors
- Oversized wiring to prevent heat and damage to electronic components
- These models are also available in Half-Door models, too!
- We have oversized the refrigeration systems and increased the wiring gauge for longevity.
- All of our reach-in models come standard with casters, stainless steel interiors & exteriors
- Easy access condenser coil for cleaning
- Interchangeable pans and shelves on all Reach-ins
- Standard Oversized, high efficient compressor with automatic on-off interior lighting and evaporator fan.



Single Door Model
Refrigerator: USTV-24R
Freezer: USTV-24F



Double Door Model
Refrigerator: USTV-48R
Freezer: USTV-48F



Three Door Model
Refrigerator: USTV-70R
Freezer: USTV-70F



Other Popular Products from US INC:

Upright Refrigerators & Freezers • Under Counter Refrigerators & Freezers • Salad Preparation Tables • Pizza Preparation Tables • Glass Door Merchandisers & Displays • Chef Base Refrigerators • Please contact us for our US Cooking Equipment product line for Ranges,



US Refrigeration A Division of US Inc
 6890 Distribution Drive Beltsville, Maryland 20705
www.us-refrig.com (888) 556-2112

USTV Series 24, 48 & 70 Cu. Ft. Reach-in Refrigerator & Freezers

US REFRIGERATION

Reach-in USTV Series 24, 48 & 70 Cu. Ft.
Commercial Refrigerators & Freezers

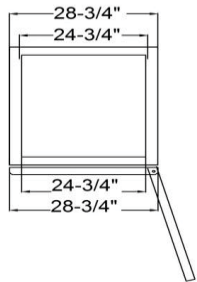
GENERAL SPECIFICATIONS

USTV Series 24, 48 & 70 Cu. Ft. Reach-in Refrigerator & Freezers

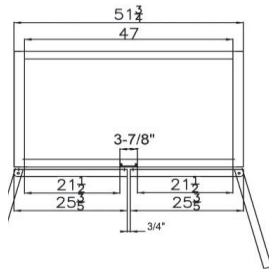
Refrigerators (Top Mount)											
Model Number	Dimensions			Capacity			HP	Electrical		TEMP Range	Weight
	W	D	H	Doors	Shelves	Cu. Ft.		Voltage	Amps		
USTV-24R	28-3/4	33-1/4	83-7/8	1	3	24	1/4	115	3.5	33.8°F - 46.4°F	265
USTV-48R	51-3/4	33-1/4	83-7/8	2	6	45	1/3	115	5.6	33.8°F - 46.4°F	440
USTV-70R	77-7/8	33-1/4	83-7/8	3	9	70	1/2	115	7.6	33.8°F - 46.4°F	616

FREEZERS (Top Mount)											
Model Number	Dimensions			Capacity			HP	Electrical		TEMP Range	Weight
	W	D	H	Doors	Shelves	Cu. Ft.		Voltage	Amps		
USTV-24F	28-3/4	33-1/4	83-7/8	1	3	24	1/2	115	6.7	-13°F - 1.4°F	264
USTV-48F	51-3/4	33-1/4	83-7/8	2	6	45	3/4	115	10.3	-13°F - 1.4°F	440
USTV-70F	77-7/8	33-1/4	83-7/8	3	9	70	1-1/4	115	9.6	-13°F - 1.4°F	616

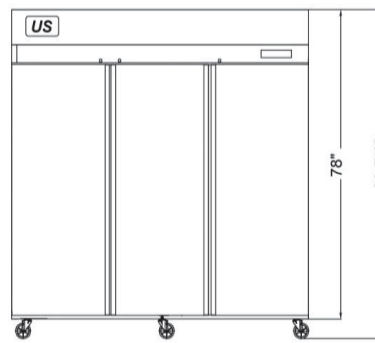
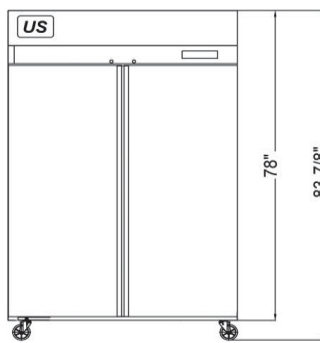
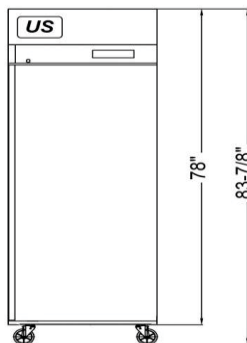
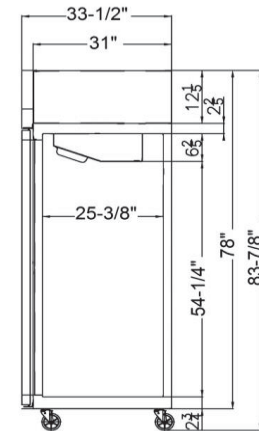
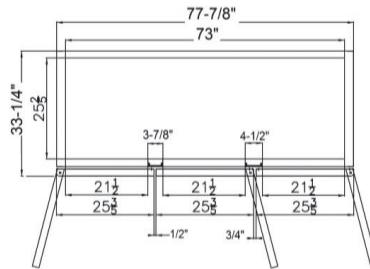
Single Door Model



Double Door Model



Three Door Model



Other Popular Products from US INC:
Upright Refrigerators & Freezers • Under Counter Refrigerators & Freezers • Salad Preparation Tables • Pizza Preparation Tables • Glass Door Merchandisers & Displays • Chef Base Refrigerators • Please contact us for our US Cooking Equipment product line for Ranges, Griddles and Fryers.

US Refrigeration is YOUR first choice in commercial refrigeration equipment



US Refrigeration A Division of US Inc
6890 Distribution Drive • Beltsville, Maryland 20705
(888) 556-2112 www.us-refrig.com

These products are not approved for residential use.

