

# Continental

## Refrigerator

Project Name: \_\_\_\_\_  
 Model Specified: \_\_\_\_\_  
 Location: \_\_\_\_\_  
 Item No. \_\_\_\_\_ Quantity: \_\_\_\_\_

### Horizontal Bottle Coolers

- Models:  CBC24     CBC37     **CBC50**  
 CBC64     CBC95



Model CBC64

### Options & Accessories

- |   |  |
|---|--|
| <input type="checkbox"/> Remote -R                      | <input type="checkbox"/> Stainless Steel Interior for NSF 7 - approved for open food     |
| <input type="checkbox"/> 3 & 4" Locking, Swivel Casters | <input type="checkbox"/> SS Models - Stainless Steel Exterior, Galvanized Steel Interior |
| <input type="checkbox"/> 6" Adjustable Legs             | <input type="checkbox"/> Electric Condensate   |
| <input type="checkbox"/> Additional Bin Dividers        |  |
| <input type="checkbox"/> Locking Lids                   |  |
| <input type="checkbox"/> Deep Chill (32°F)              |  |

### Standard Features

- Available in 24", 37", 50", 64", 95" Widths
- Modern, State-of-the-Art Styling
- Wear Resistant Black Vinyl Coated Steel Exterior with All Stainless Steel Countertop and Side Lids for Lifetime Durability
- Heavy Duty, Long Lasting Galvanized Steel Interior
- Performance Rated Refrigeration System Utilizing Environmentally Safe R-134a Refrigerant
- Front, Rear and Side Venting Louvers Allow Greater Condenser Air Flow for Tight Fit Installations (CBC24 model is front breathing)
- Easily Accessible and Serviceable Slide-Out Condensing Unit
- Automatic, Energy Saving, Non-Electric Condensate Disposal System with Easily Accessible, Front Mounted Cleanout Drainage Hose And Drain Pan
- High Density, Non-CFC Polyurethane Foamed-In-Place Insulation
- Epoxy Coated, Heavy Duty, Adjustable Steel Wire Storage Bin Dividers to Maximize Storage Space
- Heavy Duty Bottle Cap Opener with Extra Capacity, Removable Cap Catcher
- Extra Long 10' Power Supply Cord and Plug Attached



Approval: \_\_\_\_\_



A Division of National Refrigeration & A/C Products, Inc.  
 539 Dunksferry Road Bensalem, PA 19020  
 (800) 523-7138 Fax: (215) 244-9579  
 www.continentalrefrigerator.com

Printed in U.S.A  
 March, 2009

Project Name: \_\_\_\_\_ Model Specified: \_\_\_\_\_  
 Location: \_\_\_\_\_ Item No. \_\_\_\_\_ Quantity: \_\_\_\_\_

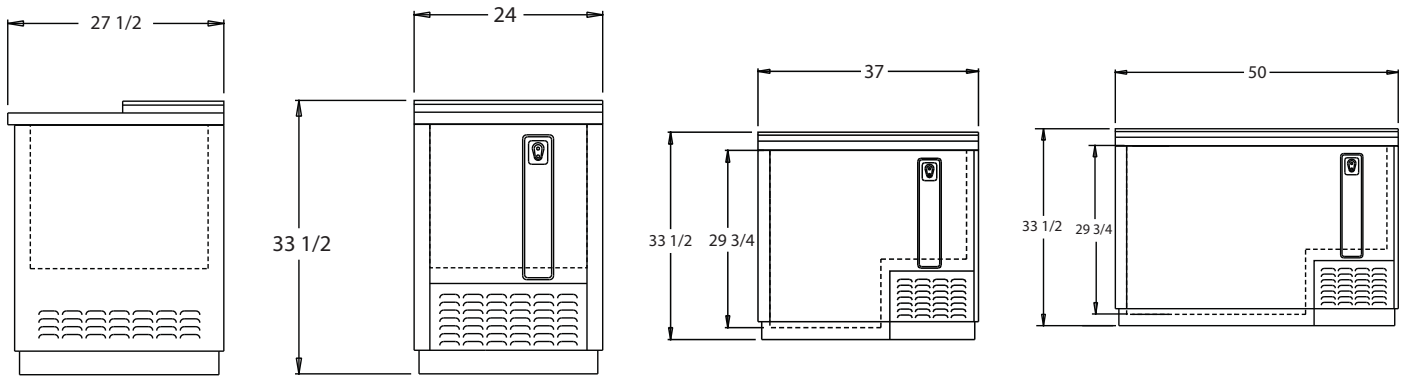
**SPECIFICATIONS**

**DIMENSIONAL DATA**

	<b>Model CBC24</b>	<b>Model CBC37</b>	<b>Model CBC50</b>	<b>Model CBC64</b>	<b>Model CBC95</b>
Net Capacity (cu. ft.)	4.8	10.3	15.1	20.3	32.0
Case Capacity – 12 oz. Bottle (# Cases)	4½	12	18	25	40
Case Capacity – 12 oz. Cans (# Cases)	7½	18 ½	27	37	59
Width, Overall (in.)	24	37	50	64	95
Depth, Overall (Less Cap Catcher) (in.)	27½	27½	27½	27½	27½
Height, Overall (in.)	33½	33½	33½	33½	33½
Number of Slide Lids	1	1	2	2	3
Number of Bin Dividers	2	2	3	4	8
Condensing Unit Size (H.P.)	⅓	⅓	⅓	⅓	½
Refrigerant	R-134a	R-134a	R-134A	R-134A	R-134A
Cabinet Electrical Specs	115/60/1	115/60/1	115/60/1	115/60/1	115/60/1
Total Amps	5.4	5.4	8.0	8.0	10.3
Power Supply Cord	yes	yes	yes	yes	yes
Shipping Weight (lbs.)	205	215	265	315	435
Shipping Height (in.)	44	44	39	39	39
Shipping Length (in.)	33	33	57¾	71¾	102¾
Shipping Depth (in.)	41	41	30¼	30¼	30¼

Note: A Minimum Clearance of 3" on Each Side, Front and Rear of Cabinet is Required for Optimum Performance.

Note: All specifications subject to change without notice.

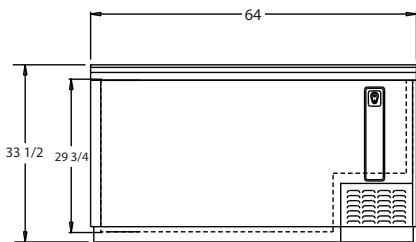


**CBC24 FRONT VIEW**

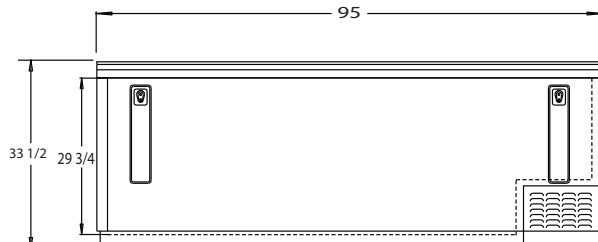
**CBC37 FRONT VIEW**

**CBC50 FRONT VIEW**

**CBC24,37,50, 64 & 95  
SIDE VIEW**



**CBC64 FRONT VIEW**



**CBC95 FRONT VIEW**